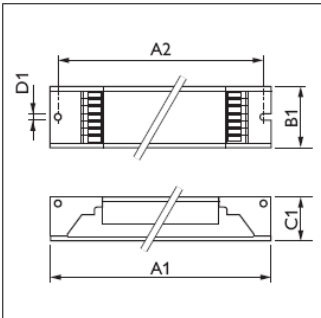


# 安定器

## TL5 專用調光式安定器 HF-R II 1-10V 系列

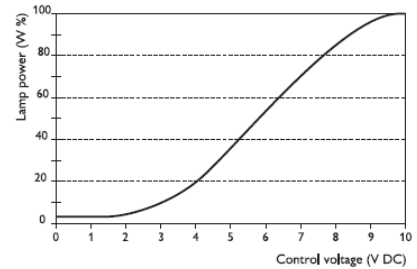


HF-R

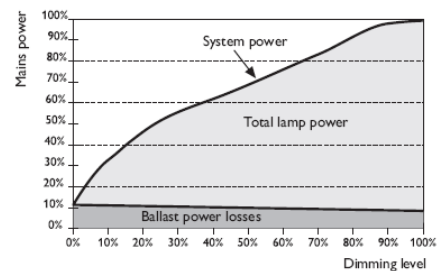
Type	A1Nom	A2Nom	B1Nom	C1Nom	D1Nom
HF-Regulator 1 14-35 TL5 EII 220-240V 50/60Hz	360	350	30	22	4.2
HF-Regulator 1 24 TL5/PL-L EII 220-240V 50/60Hz	359	350	30	22	4.2
HF-Regulator 280 TL5/PL-L EII 220-240V 50/60Hz	425	415	30	22	4.2
HF-Regulator 2 95-120 TL5 EII 220-240V 50/60Hz	425	415	39	28	4.2
HF-Regulator 314 TL5 EII 220-240V 50/60Hz	359	350	39	22	4.2

### Electrical data

Type	Number of Lamps (x)	Rated Ballast-Lamp Power	Power losses gear (W)
HF-Regulator 1 14-35 TL5 EII 220-240V 50/60Hz	1	14-35	3.5-4.4
HF-Regulator 1 24 TL5/PL-L EII 220-240V 50/60Hz	1	24	4.5
HF-Regulator 1 39 TL5 EII 220-240V 50/60Hz	1	39	5.8
HF-Regulator 1 49 TL5 EII 220-240V 50/60Hz	1	49	5.3
HF-Regulator 1 54 TL5 EII 220-240V 50/60Hz	1	54	6.6
HF-Regulator 1 80 TL5/PL-L EII 220-240V 50/60Hz	1	80	7
HF-Regulator 2 14-35 TL5 EII 220-240V 50/60Hz	2	14-35	5.3-6.5
HF-Regulator 2 24 TL5/PL-L EII 220-240V 50/60Hz	2	24	7.3
HF-Regulator 2 39 TL5 EII 220-240V 50/60Hz	2	39	5.9
HF-Regulator 2 49 TL5 EII 220-240V 50/60Hz	2	49	7.9
HF-Regulator 2 54 TL5 EII 220-240V 50/60Hz	2	54	11
HF-Regulator 2 80 TL5/PL-L EII 220-240V 50/60Hz	2	80	13.2
HF-Regulator 2 95-120 TL5 EII 220-240V 50/60Hz	2	95-120	12
HF-Regulator 3 14 TL5 EII 220-240V 50/60Hz	3	14	7.7
HF-Regulator 3 24 TL5/PL-L EII 220-240V 50/60Hz	3	24	11.2
HF-Regulator 4 14 TL5 EII 220-240V 50/60Hz	4	14	9.9
HF-Regulator 4 24 TL5/PL-L EII 220-240V 50/60Hz	4	24	16.4



Relation between lamp power and 1-10V regulation (with 1% dimming)



Input power vs dimlevel HR-REGULATOR II (1-10V)

#### Mains operation

Rated mains voltage	220 - 240 V
with tolerances for safety: +/- 10 %	198 - 264 V
tolerances for performance: +6 % -8 %	202 - 254 V
Mains frequency	50/60 Hz
Operating frequency	> 42 kHz
Power factor	0.90*; 0.95 at 100 % power

#### Control input

Regulating level (lamp power)	1 to 100%
	The control input complies with IEC 60929 (Annex E) and is compatible with Philips lighting control equipment.
Control input insulation, basic insulation	≥ 1500 V



凡球照明股份有限公司

TEL: 02-8512 3888 FAX: 02-8512 3439

<http://www.circleworld.com.tw>

台北縣三重市光復路二段 80 號 9 樓之 7 Email: john@circleworld.com.tw